

Product Technical Data Sheet

Rigid Drain Pipe v2.0

Code and description

Castel Engineering range : Various Accessories

Tubes :

RDP20 Rigid drain pipe 20 mm diameter
RDP25 Rigid drain pipe 25 mm diameter
RDP32 Rigid drain pipe 32 mm diameter

Accessories

RDP20-C45 / RDP25-C45 / RDP32-C45	RDP 45° Connection
RDP20-XT / RDP25-XT / RDP32-XT	RDP Extension
RDP20-C90 / RDP25-C90 / RDP32-C90	RDP 90° connection
RDP20-T / RDP25-T / RDP32-T	RDP T-connection
RDP20-CLIP / RDP25-CLIP / RDP32-CLIP	RDP- clip fixation
RDP25-20RD / RDP32-25 RD	RDP Reducer
RDP32-3w20	RDP 3 Way connection (1x32mm, 3x20mm)
CCSR16 / CCSR18 / CCSR20	Condensation connection soft-rigid

photo

Pipes:



Accessoires:



RDP20-CLIP / RDP25-CLIP / RDP32-CLIP



RDP20-XT / RDP25-XT / RDP32-XT



RDP20-C45 / RDP25-C45 / RDP32-C45



RDP20-T / RDP25-T / RDP32-T



RDP25-20RD / RDP32-25 RD



CCSR16 / CCSR18 / CCSR20



RDP32-3w20



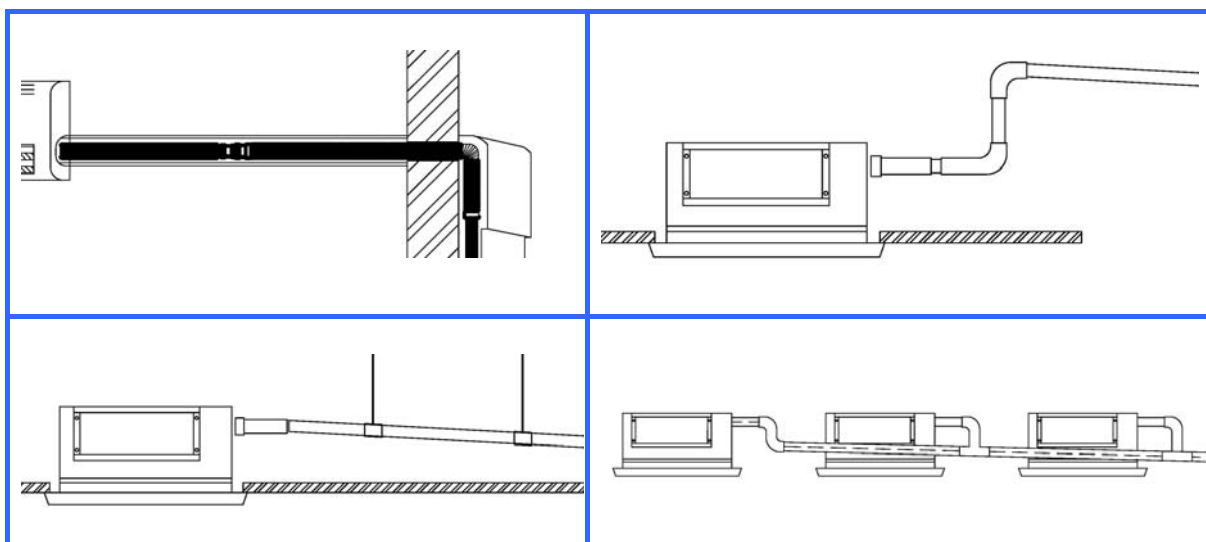
RDP20-C90 / RDP25-C90 / RDP32-C90

Some installations

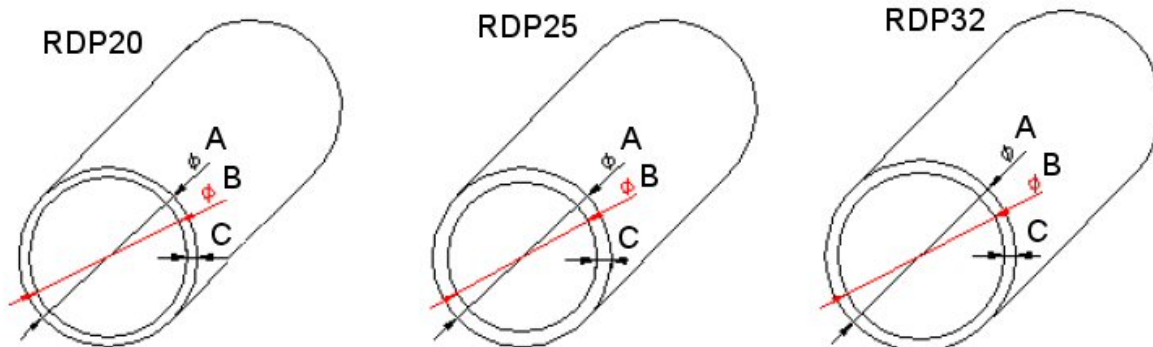
We recommend use of non-aggressive installation-grease to ease the pipe insertion.

Installation sketches are for illustration purposes only.

We recommend that you follow and comply with the instructions manual of the air conditioning device.



Measurements



Code	A	B	C
RDP20	20 mm	18 mm	1 mm
RDP25	25 mm	22,5 mm	1,25 mm
RDP32	32 mm	29 mm	1,5 mm

Material

Rigid PVC tubes: made of rigid PVC
Connections : made of ASA, with O-ring for water tightness.

Characteristics

- The O-ring is pre-mounted so that the connections are delivered ready to use.
- Advised working temperatures: -20°C up to +60°C

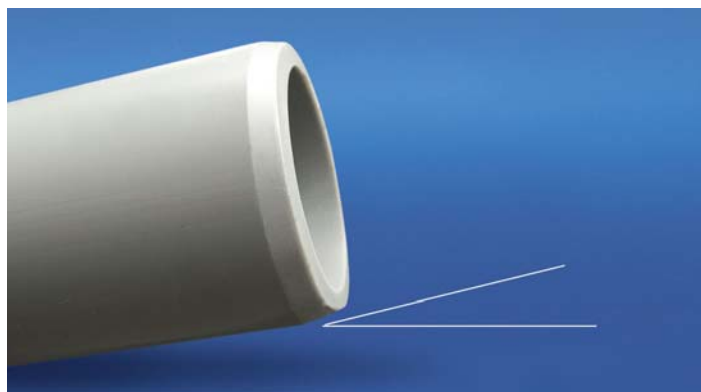
Properties

Test Method

Relative Density	1,52	ISO 1183 (gr/cm ³)
IZOD	> 7	KJ /m ² ; +23 C (ISO 179)
Tensile strength at yield	40,50	(N / mm ² ; ISO 527-I)
Tensile strength at break	40	(N / mm ² ; ISO 527-I)
Elongation at break	160%	(ISO 527-I)
Elongation at yield	3,0%	(ISO 527-I)
Elasticity module at bending	3700	(ISO 178)

Recommendations :

Non-aggressive installation grease should be used,
Rigid drain pipes should be bevelled before inserting them into RDP connections
Rigid drain pipe should be bevelled before inserting them into a connection accessory.



Available colours

White

Packing information

Code	Min. Packing	Max. Packing
RDP20	20lm / Bag	4080 lm / PAL
RDP25	20lm / Bag	2600 lm / PAL
RDP30	20lm / Bag	1540 lm / PAL

All RDP connection accessories are packed by 20 pcs.

Application Information

Drainage of condensation water without pressure.

Disclaimer

Those who in any way utilize the product(s) are solely responsible for determining (a) the suitability of the product for the intended use, (b) the appropriate manner of processing the product to ensure safety and quality and (c) chemical, physical and health effects related to those activities.

Castel Engineering S.A and its Affiliates disclaim any and all responsibility and liability for the use of any such data, information and/or the relevant product.