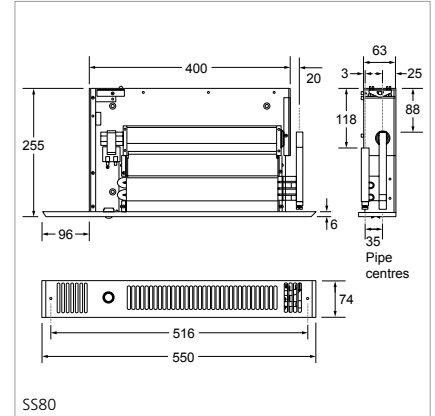


Space Saver - Hydronic



A highly energy efficient fan convector that fits neatly into the plinth of a kitchen unit and eliminates the need for conventional radiators



Features

- Makes room for extra kitchen storage, work space, or additional appliances
- More affordable than underfloor heating
- Get the flooring you want
- Discreet heating
- Easy to use
- Suitable for plinth heights from 80mm upwards
- Contemporary design with a wide choice of grille colours to suit interior decoration
- Two heat outputs and fan only option for instant heat and cool air circulation
- Low voltage bathroom model available for high humidity areas
- Free five years parts and labour warranty

Applications

- Kitchen
- Utility
- Bathroom

Motor

AC

Finish

Fascia grille: Stainless Steel

Installation

Correct fascia grille opening must be cut to allow sufficient air intake 20mm clearance above unit required

Model secured to plinth by two screws through fascia grille

Unit must be earthed (not 12 volt SELV)

Suitable for two-pipe central heating systems only

SS80 supplied with detachable cable

SS80 models have easy fit thermostat facility

Commissioning

Check water temperature is hot enough to activate low temperature cut-out thermostat (LTC). Vent screw accessible through fascia grille

Controls

Single rocker switch - low/off/normal

SS80: Low temperature cut-out thermostat set to energise fan at approximately 35°C

SS6 W/Dual: Wireless temperature control featuring comfort, setback and run back timer (battery operated) supplied, three rocker switches, heating/off/fan-only, hydronic/electric, normal/boost

Low temperature cut-out thermostat set to energise fan at approximately 35°C

All other models: two rocker switches -normal/off/boost, heating/fan-only

Low temperature cut-out thermostat set to energise fan at approximately 35°C

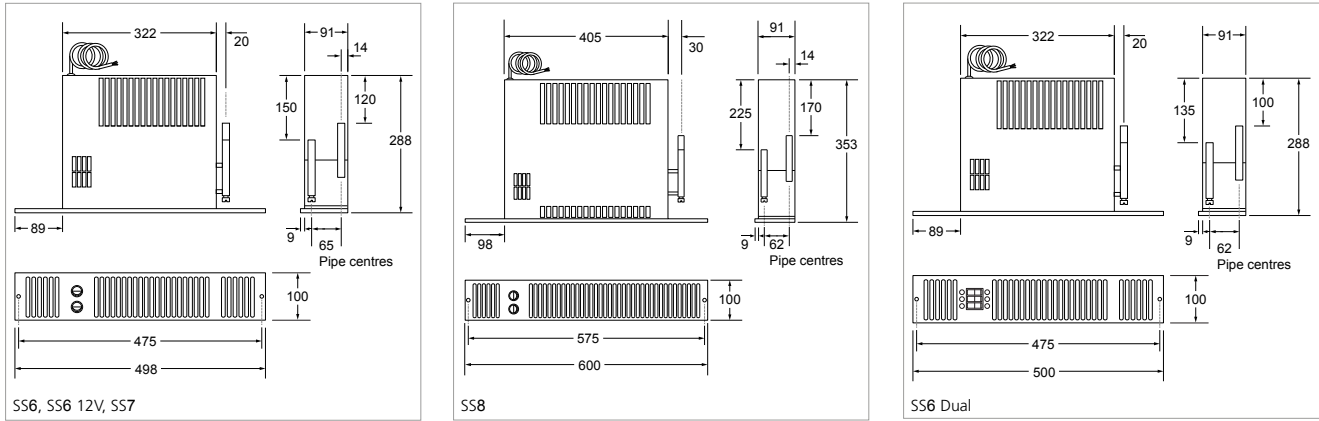
Accessories

Wall-mounted room thermostat

Wall mounted control switch (white) to suit SS6, SS6/12V, SS7, SS8

Space Saver - Hydronic

A highly energy efficient fan convector that fits neatly into the plinth of a kitchen unit and eliminates the need for conventional radiators



Heat Output

Model	Room size guide* (m ³)	Heat Output at 80°		Heat Output at 75°		Heat Output at 70°		Heat Output at 65°		Heat Output at 60°	
		Normal (kW)	Boost (kW)	Normal (kW)	Boost (kW)	Normal (kW)	Boost (kW)	Normal (kW)	Boost (kW)	Normal (kW)	Boost (kW)
Hydronic											
SS80	24	0.8	1.1	0.8	0.9	0.7	0.8	0.6	0.7	0.6	0.7
SS6	37	1.3	1.7	1.2	1.6	1.1	1.4	1.0	1.3	0.9	1.1
SS7	46	1.6	1.9	1.4	1.8	1.3	1.6	1.2	1.5	1.1	1.3
SS8	63	2.2	2.4	2.1	2.2	1.8	2.0	1.7	1.8	1.5	1.7
Hydronic low voltage											
SS6 12V	33	1.3	1.7	1.2	1.6	1.1	1.4	1.0	1.3	0.9	1.1
Hydronic/electric (dual)											
SS6 Dual (electric mode)	37	1.3	1.7	1.2	1.6	1.1	1.4	1.0	1.3	0.9	1.1
SS6 Dual	29	1.0	-	1.0	-	1.0	-	1.0	-	1.0	-

Model	Room size guide* (m ³)	Heat Output at 55°		Heat Output at 50°		Heat Output at 45°		Heat Output at 40°	
		Normal (kW)	Boost (kW)	Normal (kW)	Boost (kW)	Normal (kW)	Boost (kW)	Normal (kW)	Boost (kW)
Hydronic									
SS80	24	0.5	0.6	0.4	0.5	0.4	0.4	0.3	0.3
SS6	37	0.8	1.0	0.7	0.9	0.6	0.8	0.5	0.7
SS7	46	1.0	1.2	0.9	1.0	0.8	0.9	0.6	0.8
SS8	63	1.3	1.5	1.1	1.3	0.9	1.1	0.7	0.9
Hydronic low voltage									
SS6 12V	33	0.8	1.0	0.7	0.9	0.6	0.8	0.5	0.7
Hydronic/electric (dual)									
SS6 Dual (electric mode)	37	0.8	1.0	0.7	0.9	0.6	0.8	0.5	0.7
SS6 Dual	29	1.0	-	1.0	-	1.0	-	1.0	-

*Room sizes given in cubic metres for general guidance only based on normal heat output (80°C) for domestic applications - always calculate heat losses. Heat outputs tested in accordance with BS4856 using entering water temperature and 340 l/h (75gph) flow rate. Fan-only option operational only when central heating system is switched off. Dual models include an electric element which in electric heating mode will emit 1kW of heat.

Space Saver - Hydronic



A highly energy efficient fan convector that fits neatly into the plinth of a kitchen unit and eliminates the need for conventional radiators

Model	Room size guide* (m ²)	Sound levels		Fascia grille finish	Fan-only	Minimum plinth height (mm)
		Normal (dBA)	Boost (dBA)			
Hydronic						
SS80	24	32	40	Stainless Steel	•	80
SS6	37	27	43	Stainless Steel	•	100
SS7	46	30	44	Stainless Steel	•	100
SS8	63	41	46	Stainless Steel	•	120
Hydronic Low Voltage						
SS6 12V	33	31	39	Stainless Steel	•	100
Hydronic/Electric (Dual)						
SS6 Dual (in hydronic mode)	37	27	43	Stainless Steel	•	100
SS6 Dual (in electric mode)						100

Sound levels measured at 1.5m.

Model	Flow & return connections	Mains cable	Transformer	Flexible hoses	Fused spur	Total Power Consumption		Water Capacity (Litres)
						Normal (W)	Boost (W)	
SS80	15mm	2m	n/a	•	3A	5	10	0.35
SS6	15mm	2m	n/a	•	3A	18	25	0.36
SS7	15mm	2m	n/a	•	3A	21	30	0.38
SS8	15mm	2m	n/a	•	3A	24	35	0.53
SS6 12V	15mm	0.45m	•	•	3A	21	30	0.36
SS6 Dual	15mm	2m	n/a	•	3A	18 (electric mode)	25 (electric mode)	0.36

As part of our commitment to continuous improvement Smith's Environmental Products may change the specifications of its products without prior notification or public announcement. All descriptions, illustrations, drawings and specifications in this publication present only general particulars and shall not form part of any contract. All dimensions are in mm unless otherwise stated.